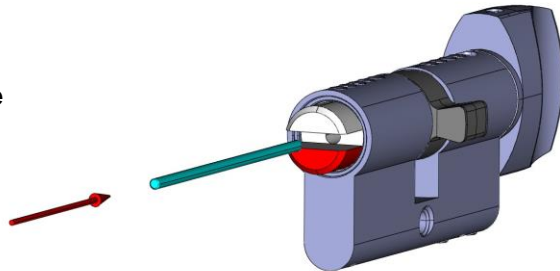
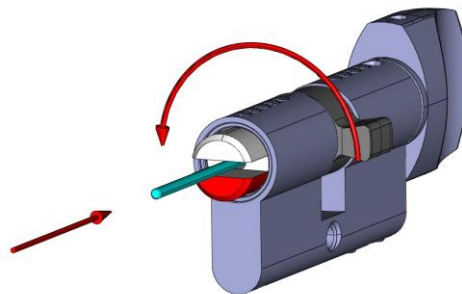


**To change the indicator:**

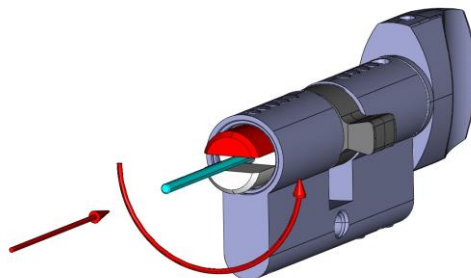
Push with a pin ( $\varnothing 2$  mm length min. 50 mm) in the foreseen drilling on the display side of the cylinder



With simultaneous pushing and turning of the colored display, it can be turned by 180°.



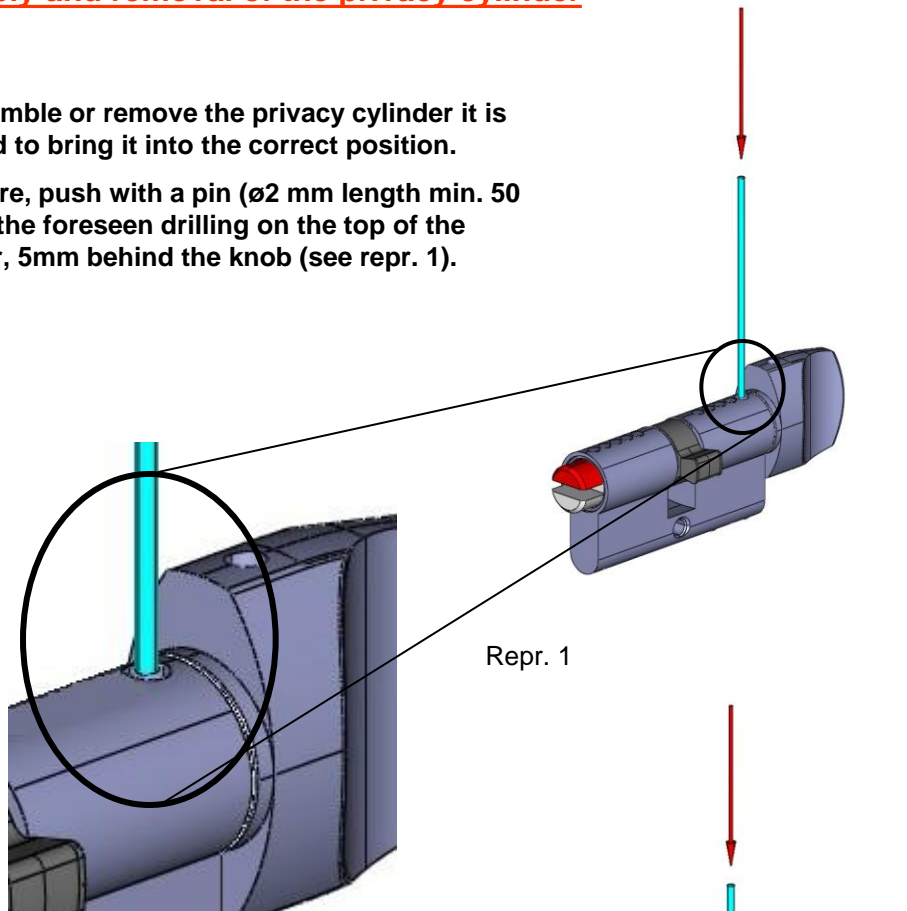
Please pay attention that the display part snaps clearly in the required end position.



**Assembly and removal of the privacy cylinder**

To assemble or remove the privacy cylinder it is required to bring it into the correct position.

Therefore, push with a pin ( $\varnothing 2$  mm length min. 50 mm) in the foreseen drilling on the top of the cylinder, 5mm behind the knob (see repr. 1).



Push slightly and turn the knob at the same time. Remove the pin and bring the cam in assembly position (see repr.2).

After fixing the cylinder with the screw in the door, turn the knob in its original position (see repr.2). It will lock in place.

When removing the cylinder, bring it in this same position.

