

Size 3 Overhead Door Closer



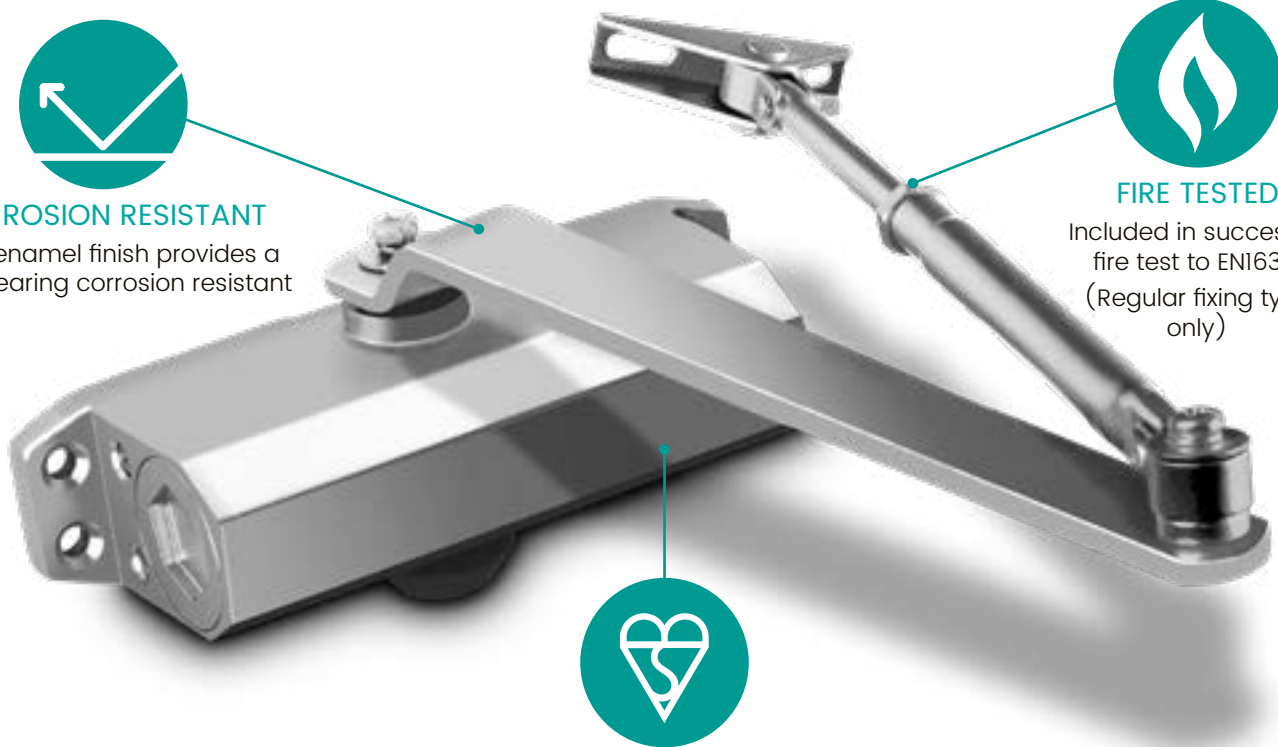
CORROSION RESISTANT

Silver enamel finish provides a hard wearing corrosion resistant



FIRE TESTED

Included in successful fire test to EN1634. (Regular fixing type only)

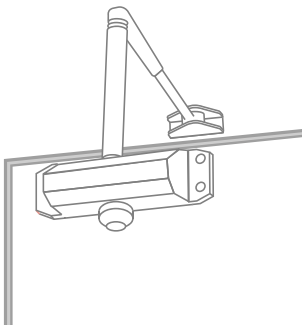


BRITISH STANDARD

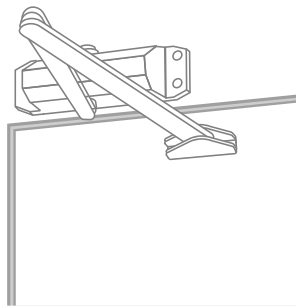
Complies To BS EN 1634 & BS EN 1154

FIXING OPTIONS

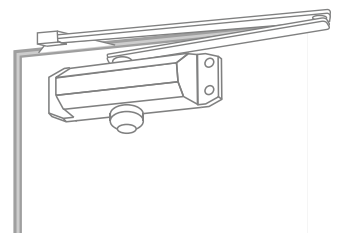
REGULAR (FIG 1)



TRANSOM (FIG 6)



PARALLEL (FIG 61)



DESCRIPTION

This rack and pinion overhead door closer from Vital is a silver enamelled and corrosion resistant product and features an adjustable sweep and latch speed. Being BS EN 1154 compliant, having reversible handing, a 180° angle of opening and a size 3 closing force, this product is both versatile and durable, as well as being safe to use on timber fire doors for up to 120 minute fire resistance.

FEATURES

- Corrosion resistant
- Complies To BS EN 1154 & BS EN 1634
- 180° angle of opening
- Non-Handed
- Silver Enamel Finish
- Adjustable Latch Action
- Adjustable Closing Action
- Adjustable sweep and latch speed
- Included in successful fire test to EN1634

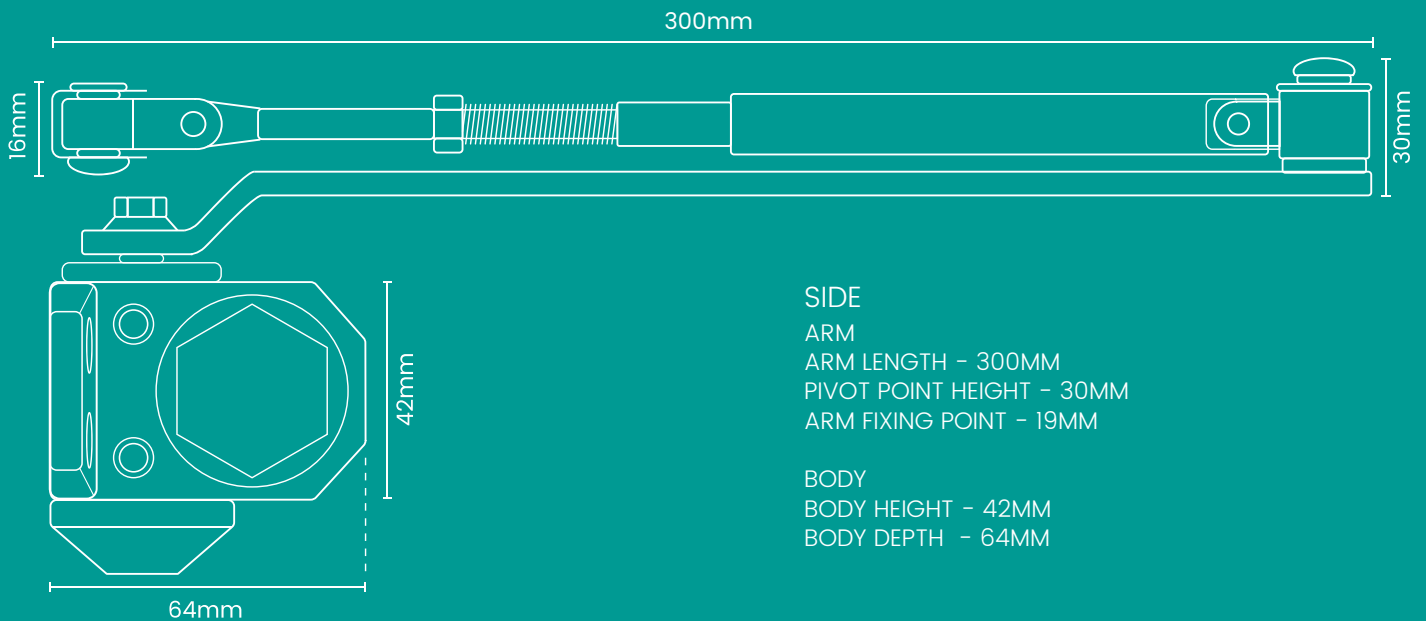
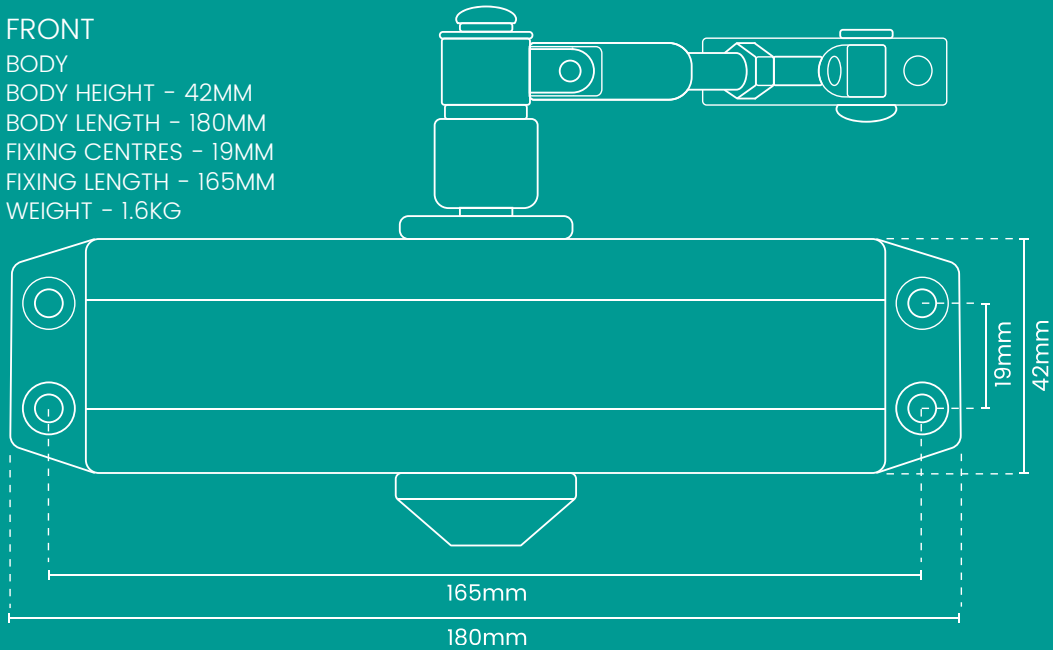
CODE	STRENGTH SIZE	FINISH	MAX DOOR WIDTH	MAX DOOR WEIGHT	PACKAGING
VT10055	SIZE 3	SILVER ENAMELLED	950MM	60KG	BOXED

Size 3 Overhead Door Closer

FRONT

BODY

BODY HEIGHT - 42MM
 BODY LENGTH - 180MM
 FIXING CENTRES - 19MM
 FIXING LENGTH - 165MM
 WEIGHT - 1.6KG



SIDE

ARM

ARM LENGTH - 300MM
 PIVOT POINT HEIGHT - 30MM
 ARM FIXING POINT - 19MM

BODY

BODY HEIGHT - 42MM
 BODY DEPTH - 64MM